



# HEATER OUTSIDE MOUNTING KIT

## HIRED-HAND®

### DESCRIPTION

Hired-Hand Heaters are available in Outside Mount (OSM) models. These heaters are designed to be mounted to the outside wall of a building. This saves valuable space inside the building and ensures fresh air intake for the heater. If you have purchased one of our OSM heaters, please read the following before installing or operating your new heater.

A template is printed on the heater carton, use the template or these instructions to mount the heater.

*Note: Different instructions are provided depending upon whether you are installing a HH-SS-Series 120V heater or you are installing a SS-Series 240V heater.*

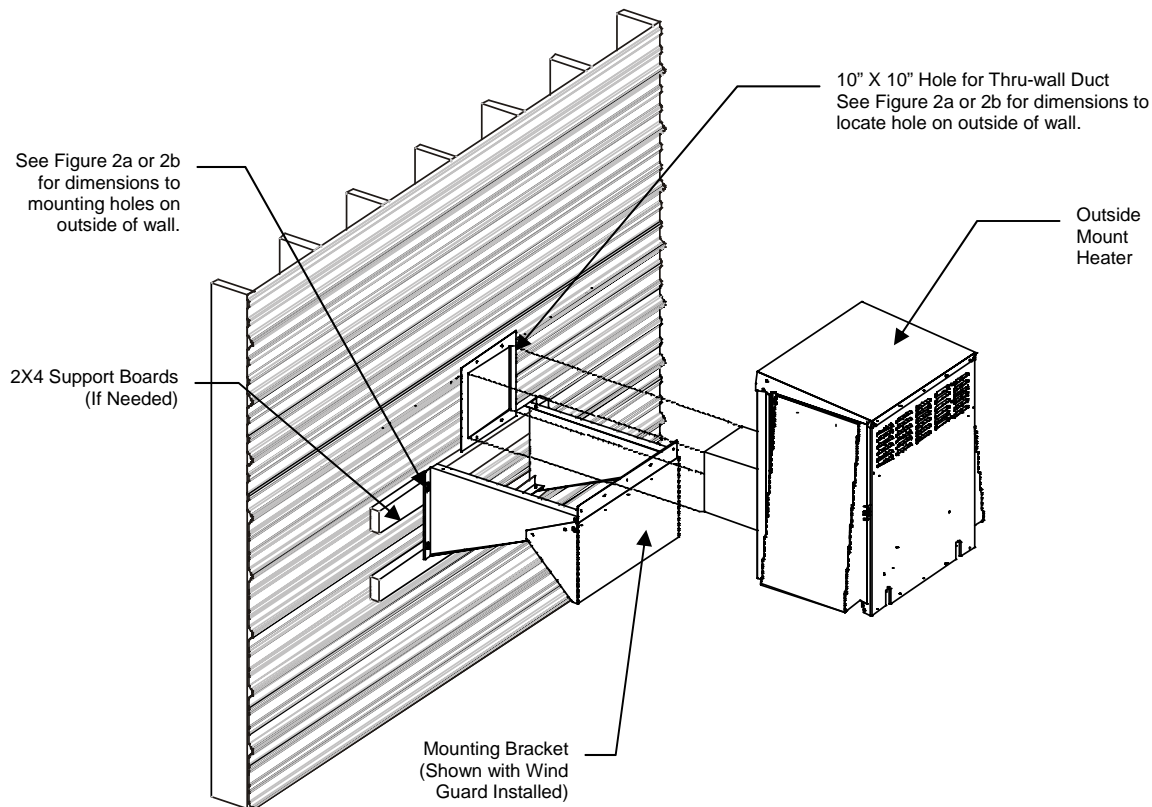
### TOOLS REQUIRED

Power Drill	Level	1/4" Drill Bit	Tape Measure	Hole Saw
-------------	-------	----------------	--------------	----------

### INSTRUCTIONS

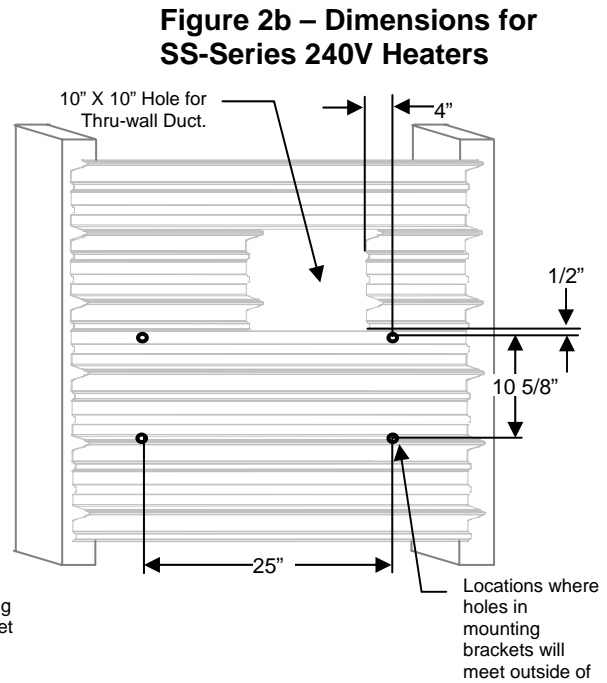
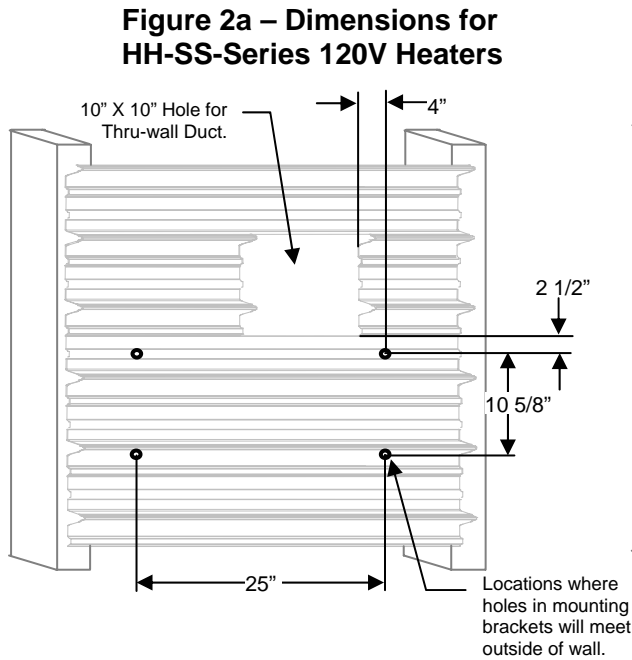
1. Use Figure 1 to locate heater on wall. Refer to the installation instruction manual provided with the heater to determine minimum clearances to combustibles. Note additional clearance on sides of heater may be desirable for maintenance accessibility. When locating heater on wall the thru-wall duct should be centered between wall studs if possible.

**Figure 1 – Outside Mount Heater Installation**



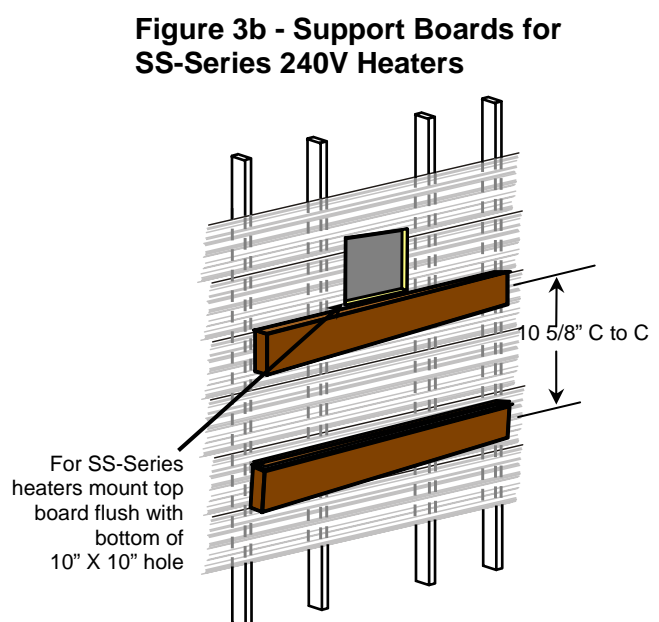
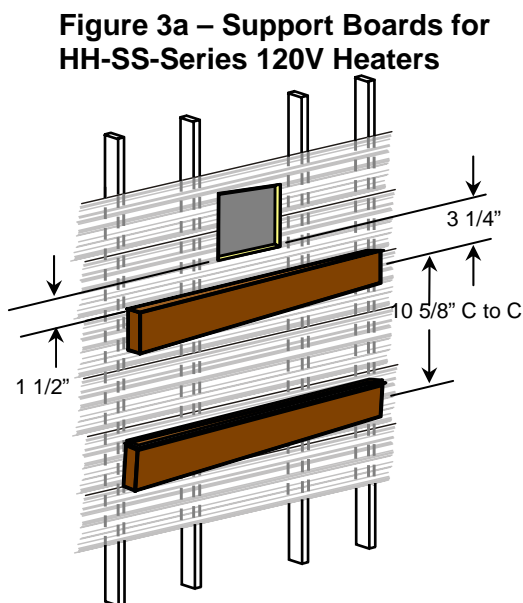
- Use Figure 2a or 2b for dimensions to locate 10" X 10" hole for thru-wall duct and to locate holes for mounting brackets. Choose dimensions that match the heater model you are installing. After the appropriate location on wall is determined, cut a 10" X 10" hole through the wall for the thru-wall duct extension.

**Figure 2 – Dimensions for Holes in Wall**



- Attach flashing trim to outside of wall centered over 10" X 10" hole.
- If additional support is needed, attach two 2 X 4 boards to wall as shown in Figure 3. Refer to Figure 3a or Figure 3b for appropriate dimensions depending on your model.

**Figure 3 - Adding Support Boards**



5. Assemble mounting bracket as shown in Figure 4 using the 1/4-20 nuts and bolts provided in the kit. Note that wind guard is only used on HH-SS-Series heaters.

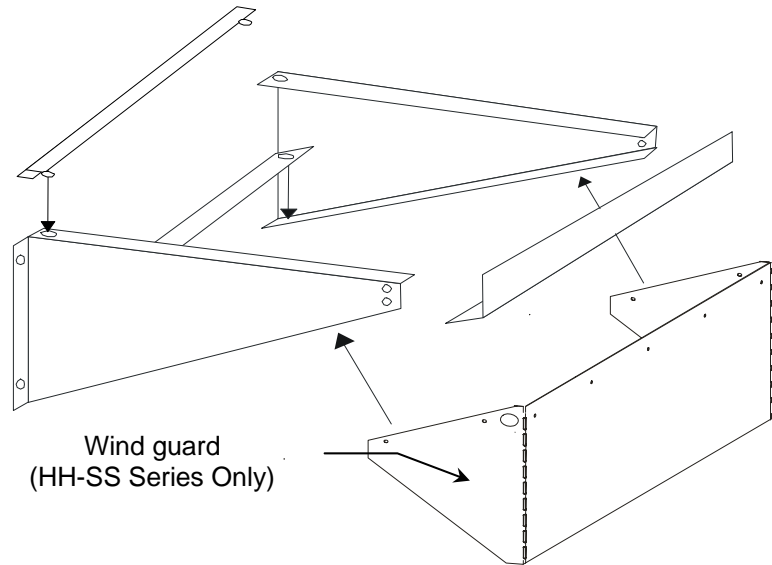
6. Attach the mounting bracket to the support boards or directly to the wall using four 1/4-4" lag screws provided in the kit. Use a level to draw a vertical line 4" to the right side of the hole cut for the duct, the holes in the right side mounting bracket will be centered on this line. Refer to Figure 2.

7. Bend the flashing trim pieces into rectangles and attach around duct opening on inside wall using eight #8-1/2" screws provided in the kit. Refer to Figure 5.

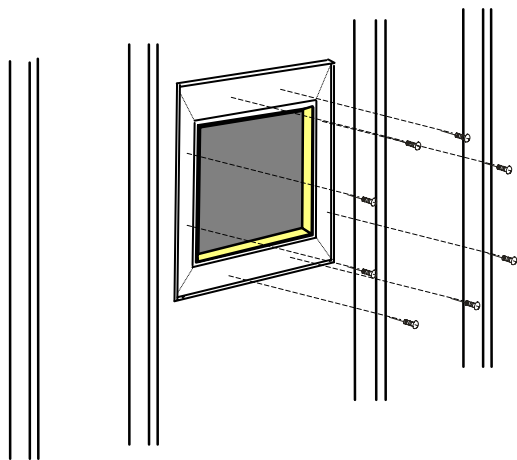
8. Remove the four sheet metal screws at the duct opening of the heater. Bend one of the extension flanges into a rectangle and use these screws to attach the extension flange to the heater. Refer to Figure 6.

9. Insert the thru-wall duct into the flange on the heater and attach with four of the #8-15x1/2" screws provided in the kit. Be certain that the "varmint" flap located inside the thru-wall duct is positioned as shown in Figure 7.

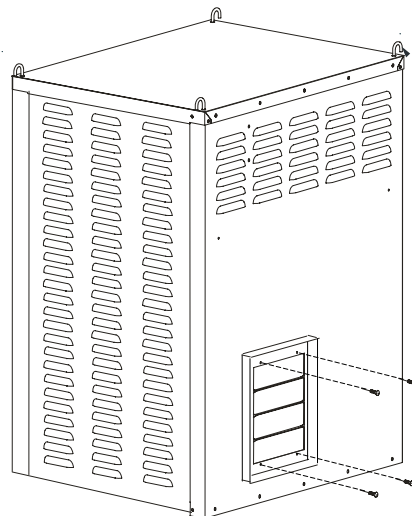
**Figure 4 – Assemble Mounting Bracket**



**Figure 5 - Attach Flashing Trim to Inside Wall around Duct Opening**

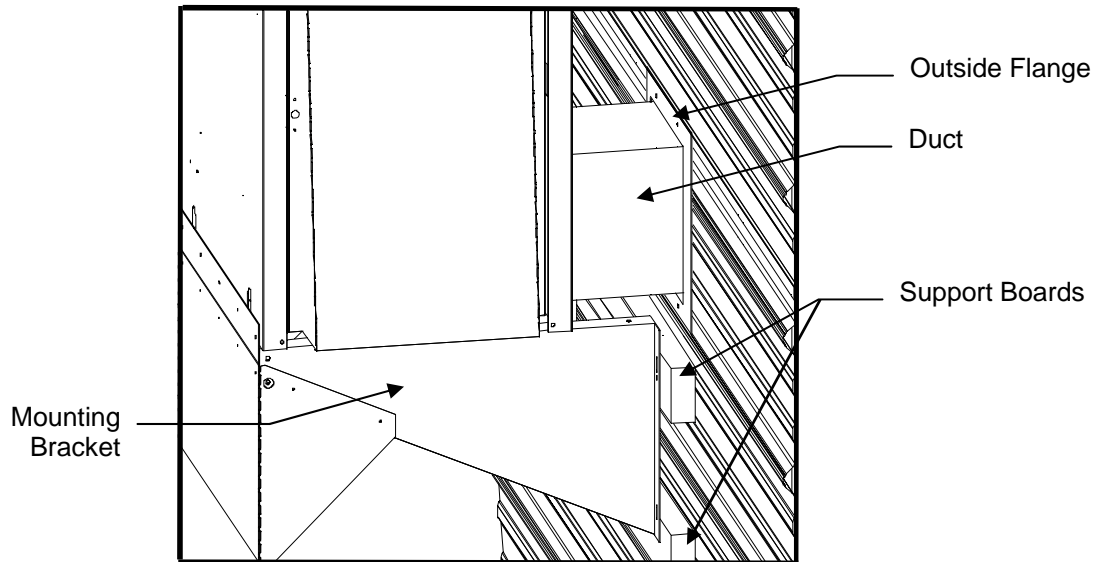


**Figure 6 - Attach Flange to Heater**



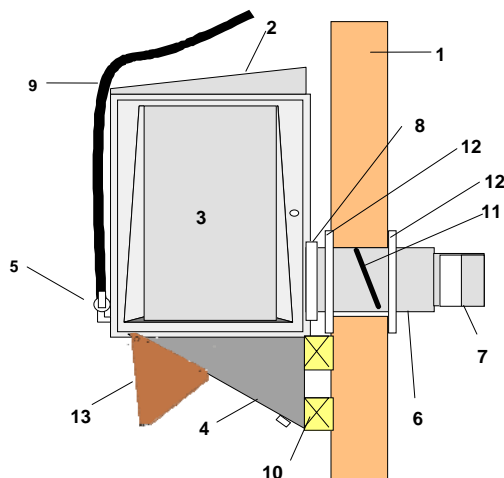
- Slide the heater with attached duct through the duct hole and atop the mounting bracket as shown in Figure 6.

**Figure 6 – Place Heater on Mounting Bracket**



- Bend the remaining extension flange into a rectangle and attach over the exposed end of the thru-wall duct with four #8-15x1/2" screws provided in the kit.
- Attach the T-duct supplied with the heater or the optional OSM Y-duct to the end of the thru-wall duct to complete the kit assembly.
- Refer to the installation instructions provided with the heater to complete installation of the heater.

**Figure 7 – Parts Identification**



Legend	
1.	Wall (By others)
2.	Rain shield, included with OSM heater.
3.	Door, included with OSM heater.
4.	Mounting brace, included with OSM kit.
5.	Gas shutoff valve, included with heater.
6.	Thru-wall extension duct, included with OSM kit.
7.	Dual flare duct. Use T-duct included with heater or use optional OSM Y-duct ordered separately.
8.	Extension flange, included with OSM kit.
9.	Gas hose, optional ordered separately.
10.	2 x 4 Framing for Brace, not included
11.	'Varmint' flap, included with OSM kit.
12.	Inner flashing seal, included with OSM kit.
13.	Wind Guard, included with HH-SS-Series heater OSM kit only.